

Table Top Rack Cabinets (RCHS Series) - *HEAVY DUTY*



Textured - Light Gray (RAL7035)

click to enlarge



**Assembly
Instructions**

Features:

- Heavy duty, 16-gauge steel, 19" table top rack cabinet...
- For ventilated versions link to our [RCHV series](#)...
- Panel rails are infinitely adjustable (front to back), round hole punched for 10-32 clip-nuts to full EIA hole centers (5/8 - 5/8 - 1/2 inch spacing)...
- Includes two pairs of rails (for rear support of heavier equipment), rubber feet, black ABS plastic handles, a starter pack of 10-32 clip nuts & matching **1421ABK** black screws...
- Supplied unassembled (four cabinet pieces & four rails), shipped in a flat pack container for handling ease & protection (see photo below)...
- Simple assembly using one bolt in each corner to lock the sides to the top and bottom (hardware included)...
- Overall width 21"...
- Overall height 2" over panel space...
- Front & back lip is .585" so usable depth is reduced by 1.17"
- Recommended maximum weight (RCHS1902824 tested) - 800 pounds...
- Rugged textured powder paint finish...
- Stocked in Black & Light Gray (RAL7035)...

17.5" Deep models:

Part Number	Color	Drawing File Size	.zip File Size	Panel Height		Number of Clip Nuts Included	Wt. lbs.
				Inches	Units		
RCHS1900817BK1 RCHS1900817CG1 RCHS1900817LG1	Black Beige Light Gray	63K	59K	8.75	5	8	38
RCHS1901017BK1 RCHS1901017CG1 RCHS1901017LG1	Black Beige Light Gray	60K	61K	10.50	6	16	40
RCHS1901417BK1 RCHS1901417CG1 RCHS1901417LG1	Black Beige Light Gray	64K	60K	14.00	8	16	44
RCHS1901717BK1 RCHS1901717CG1 RCHS1901717LG1	Black Beige Light Gray	67K	63K	17.50	10	16	50

RCHS1902217BK1 RCHS1902217CG1 RCHS1902217LG1	Black Beige Light Gray		70K		65K	22.75	13	16	54
RCHS1902817BK1 RCHS1902817CG1 RCHS1902817LG1	Black Beige Light Gray		72K		67K	28.00	16	16	60

24.5" Deep models:

Part Number	Color	Drawing File Size	.zip File Size	Panel Height		Number of Clip Nuts Included	Wt. lbs.
				Inches	Units		
RCHS1901024BK1 RCHS1901024CG1 RCHS1901024LG1	Black Beige Light Gray	68K	60K	10.50	6	16	52
RCHS1901424BK1 RCHS1901424CG1 RCHS1901424LG1	Black Beige Light Gray	64K	60K	14.00	8	16	58
RCHS1901724BK1 RCHS1901724CG1 RCHS1901724LG1	Black Beige Light Gray	64K	60K	17.50	10	16	62
RCHS1902224BK1 RCHS1902224CG1 RCHS1902224LG1	Black Beige Light Gray	66K	60K	22.75	13	16	70
RCHS1902824BK1 RCHS1902824CG1 RCHS1902824LG1	Black Beige Light Gray	82K	60K	28.00	16	16	78

31.5" Deep models:

Part Number	Color	Drawing File Size	.zip File Size	Panel Height		Number of Clip Nuts Included	Wt. lbs.
				Inches	Units		
RCHS1901031BK1 RCHS1901031LG1	Black Light Gray	62K	54K	10.50	6	16	64
RCHS1901431BK1 RCHS1901431LG1	Black Light Gray	63K	54K	14.00	8	16	68
RCHS1901731BK1 RCHS1901731LG1	Black Light Gray	63K	53K	17.50	10	16	74
RCHS1902231BK1 RCHS1902231LG1	Black Light Gray	65K	53K	22.75	13	16	86
RCHS1902831BK1 RCHS1902831LG1	Black Light Gray	66K	54K	28.00	16	16	94



(click to enlarge)



[Assembly Instructions](#)

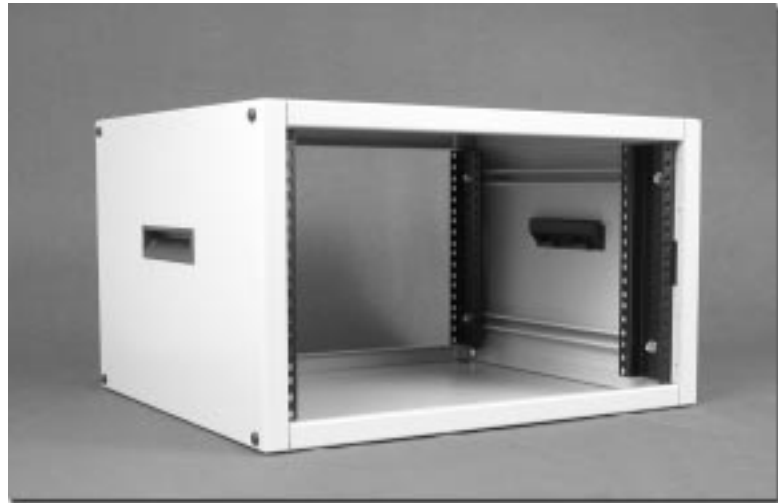
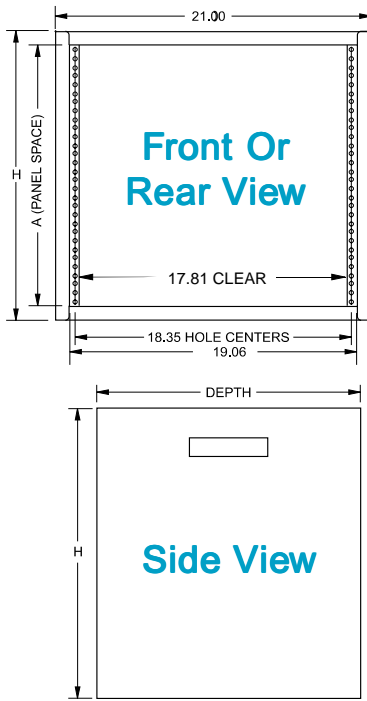
Doors

- 16-gauge steel construction
- Both front & back of "RCHS" rack cabinets are punched to accept these doors
- Mounts either right or left hand hinge (door & cabinet are symmetrical)
- Includes installed lock and two keys
- Finished in rugged textured powder paint to match RCHS/RCHV enclosures
- Includes mounting hardware

Part Number	Color	Drawing File Size	.zip File Size	Use With Cabinet Panel Height	Wt. lbs.
RCHD1908BK1 RCHD1908CG1 RCHD1908LG1	Black Beige Light Gray	17K	17K	8" (5 U)	5
RCHD1910BK1 RCHD1910CG1 RCHD1910LG1	Black Beige Light Gray	18K	18K	10.5" (6 U)	5
RCHD1914BK1 RCHD1914CG1 RCHD1914LG1	Black Beige Light Gray	19K	20K	14" (8 U)	6
RCHD1917BK1 RCHD1917CG1 RCHD1917LG1	Black Beige Light Gray	21K	22K	17.5" (10 U)	7
RCHD1922BK1 RCHD1922CG1 RCHD1922LG1	Black Beige Light Gray	22K	24K	22.75" (13 U)	9
RCHD1928BK1 RCHD1928CG1 RCHD1928LG1	Black Beige Light Gray	24K	27K	28" (16 U)	12

Heavy Duty (RCHS Series)

Table Top



NEW & IMPROVED DESIGN!

FEATURES

- Heavy duty, 16-gauge steel, 19" table top rack cabinet, finished in a tough textured powder paint
- Recommended maximum weight (RCHS1902824 tested) - 800 pounds
- Panel rails (2 pair included) are infinitely adjustable (front to back), round hole punched for 10-32 clip-nuts to full EIA hole centers (5/8-5/8-1/2 inch spacing)
- Supplied unassembled (four cabinet pieces & four rails), shipped in a flat pack container for shipping ease and protection
- Also includes rubber feet, two ABS plastic lifting handles and starter pack of 10-32 clip nuts (see table below)

17.5" Deep

Part Number			Panel Height		Overall Dimensions			# of Clip Nuts
Black Textured	Beige Textured	Blue Textured	Inches	Units	Height	Width	Depth	
RCHS1900817BK1	RCHS1900817CG1	RCHS1900817GF1	8.75	5	10.75	21.00	17.5	8
RCHS1901017BK1	RCHS1901017CG1	RCHS1901017GF1	10.50	6	12.50	21.00	17.5	16
RCHS1901417BK1	RCHS1901417CG1	RCHS1901417GF1	14.00	8	16.00	21.00	17.5	16
RCHS1901717BK1	RCHS1901717CG1	RCHS1901717GF1	17.50	10	19.50	21.00	17.5	16
RCHS1902217BK1	RCHS1902217CG1	RCHS1902217GF1	22.75	13	24.75	21.00	17.5	16
RCHS1902817BK1	RCHS1902817CG1	RCHS1902817GF1	28.00	16	30.00	21.00	17.5	16

24.5" Deep

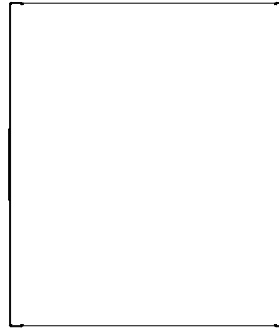
Part Number			Panel Height		Overall Dimensions			# of Clip Nuts
Black Textured	Beige Textured	Blue Textured	Inches	Units	Height	Width	Depth	
RCHS1901024BK1	RCHS1901024CG1	RCHS1901024GF1	10.50	6	12.50	21.00	24.5	16
RCHS1901424BK1	RCHS1901424CG1	RCHS1901424GF1	14.00	8	16.00	21.00	24.5	16
RCHS1901724BK1	RCHS1901724CG1	RCHS1901724GF1	17.50	10	19.50	21.00	24.5	16
RCHS1902224BK1	RCHS1902224CG1	RCHS1902224GF1	22.75	13	24.75	21.00	24.5	16
RCHS1902824BK1	RCHS1902824CG1	RCHS1902824GF1	28.00	16	30.00	21.00	24.5	16



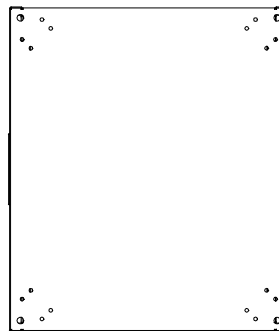
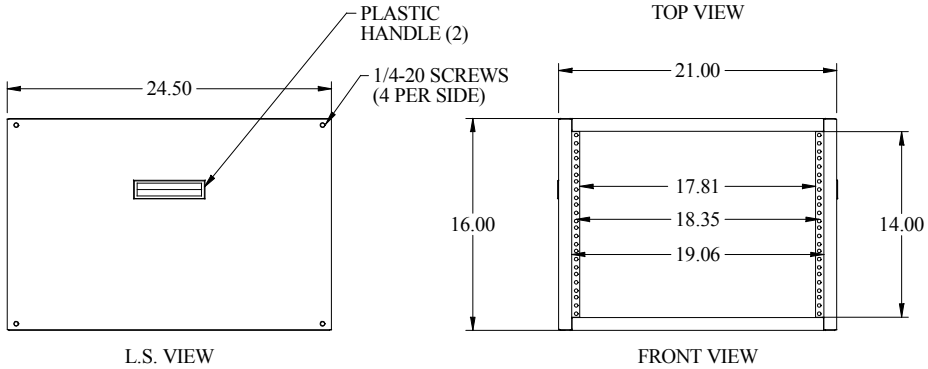
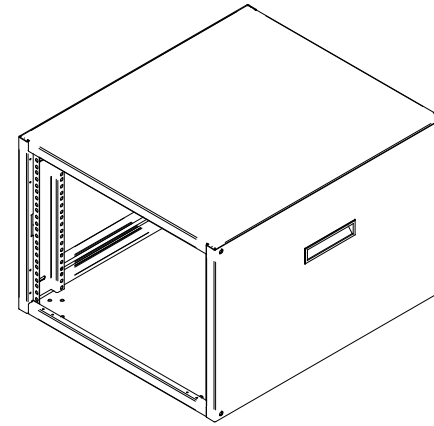
PART No. RCHS1901424

for more information visit
www.hammfg.com

Data subject to change without notice.
Isometric drawing not to scale.
Shipped knockdown for handling ease
& protection.



TOP VIEW



BOTTOM VIEW